



AutoFil Recycler System

PARTS CATALOG

We keep the world rolling.
No flats, smoother ride, more protection.

TyrFil™
A **CARLISLE** BRAND

**353231
Aluminum Fill Gun**

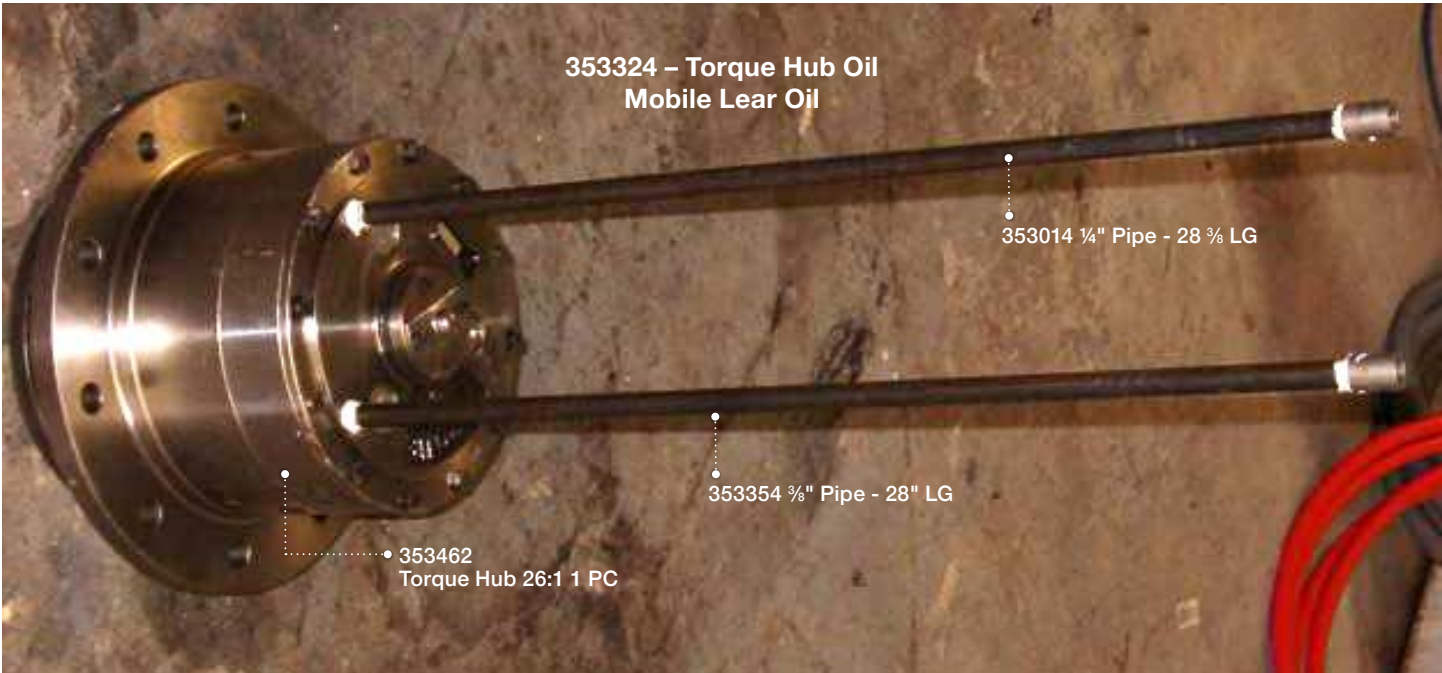


**353235
Gauge Assembly**



Fill Needles and Bullets





**353324 – Torque Hub Oil
Mobile Lear Oil**

353014 1/4" Pipe - 28 3/4 LG

353354 3/8" Pipe - 28" LG

353462
Torque Hub 26:1 1 PC

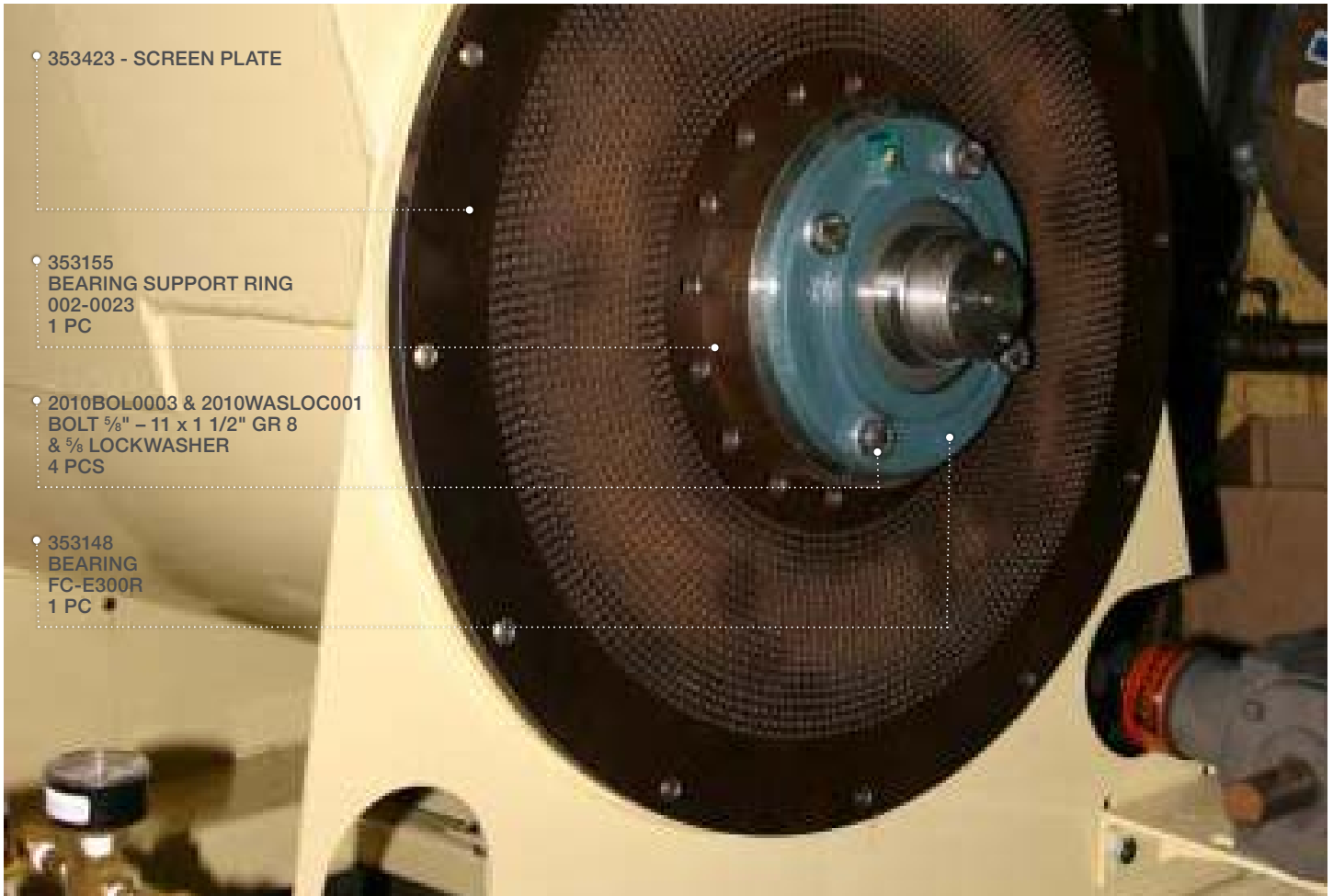


2010BOL017 & 2010WASLOC004
BOLT 1/2" - 13 X 1 1/2" GR 8
AND 1/2" LOCK WASHER
12 PCS

353282 - HUB CITY GEARBOX

2010BOL017 & 2010WASLOC004
BOLT 1/2" - 13 X 1 1/2" GR8
AND 1/2" LOCKWASHER 4 PCS

353039 - MOT006 MOTOR
15 HP 1800 RPM
3-PHASE
C-FACE
1 PC

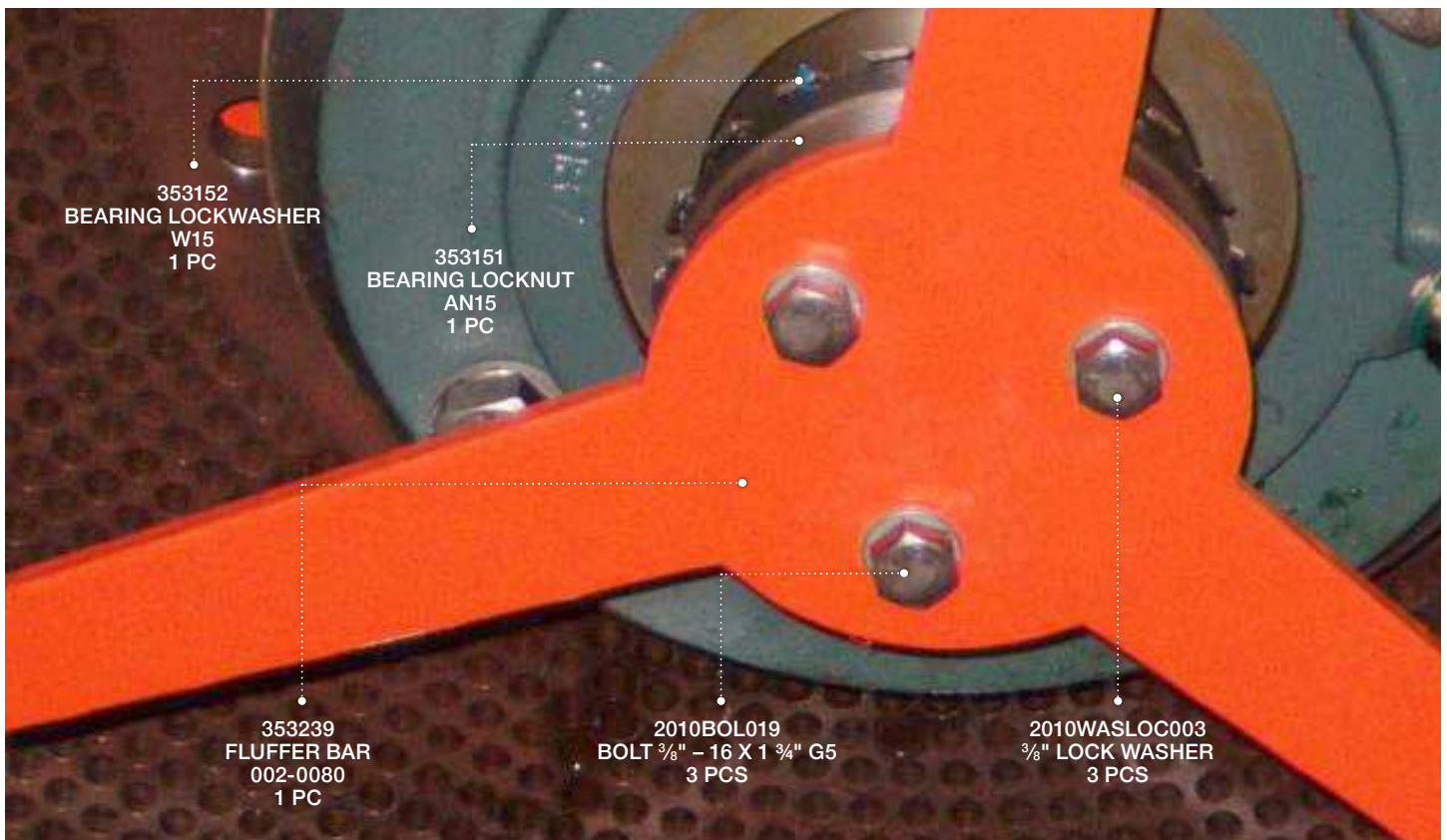


353423 - SCREEN PLATE

353155
BEARING SUPPORT RING
002-0023
1 PC

2010BOL0003 & 2010WASLOC001
BOLT $\frac{5}{8}$ " - 11 x 1 1/2" GR 8
& $\frac{5}{8}$ " LOCKWASHER
4 PCS

353148
BEARING
FC-E300R
1 PC



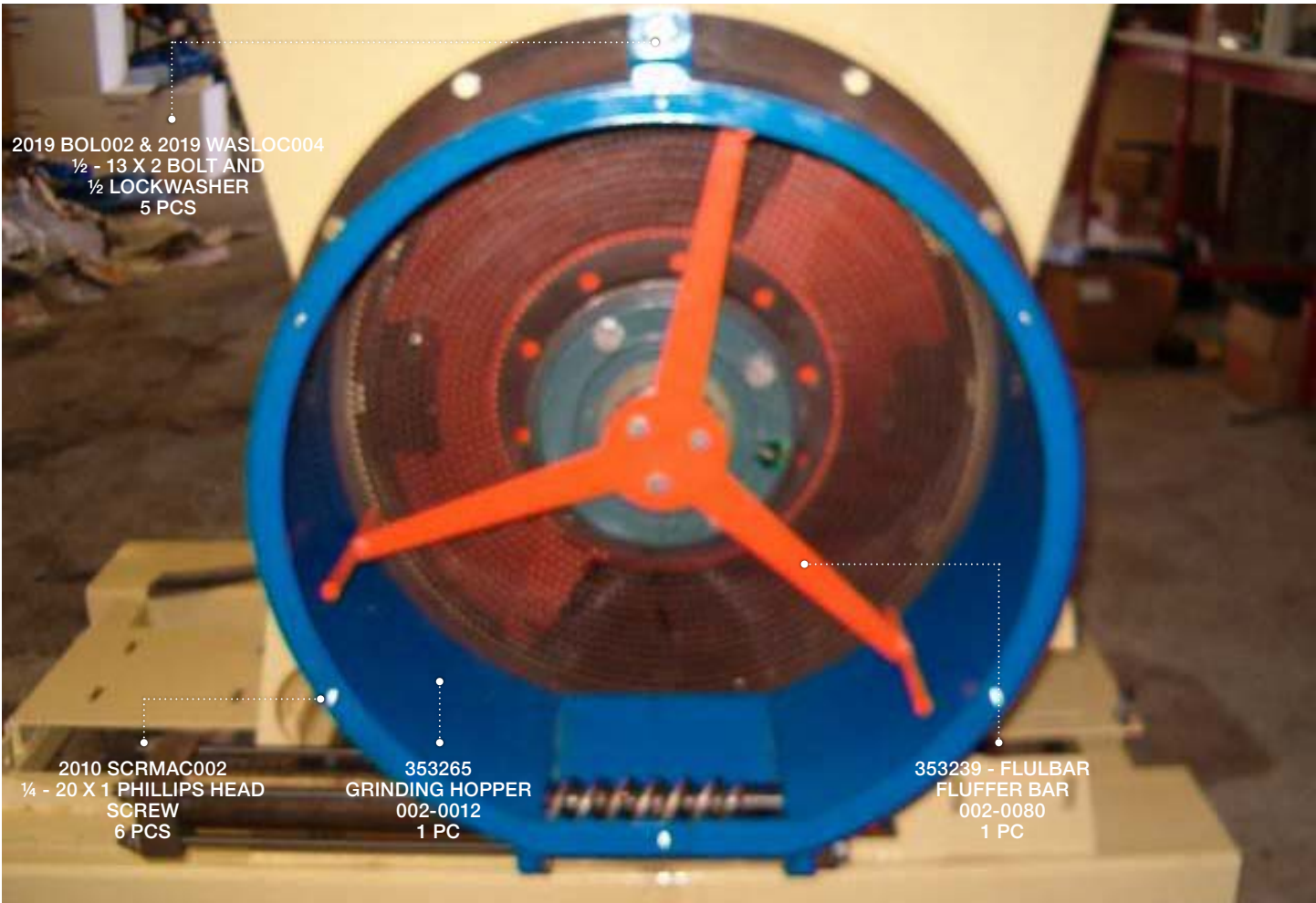
353152
BEARING LOCKWASHER
W15
1 PC

353151
BEARING LOCKNUT
AN15
1 PC

353239
FLUFFER BAR
002-0080
1 PC

2010BOL019
BOLT $\frac{3}{8}$ " - 16 X 1 $\frac{3}{4}$ " G5
3 PCS

2010WASLOC003
 $\frac{3}{8}$ " LOCK WASHER
3 PCS



2019 BOL002 & 2019 WASLOC004
 1/2 - 13 X 2 BOLT AND
 1/2 LOCKWASHER
 5 PCS

2010 SCRMAC002
 1/4 - 20 X 1 PHILLIPS HEAD
 SCREW
 6 PCS

353265
 GRINDING HOPPER
 002-0012
 1 PC

353239 - FLULBAR
 FLUFFER BAR
 002-0080
 1 PC



2010NUT003
 WING NUT 1/4" - 20
 6 PCS

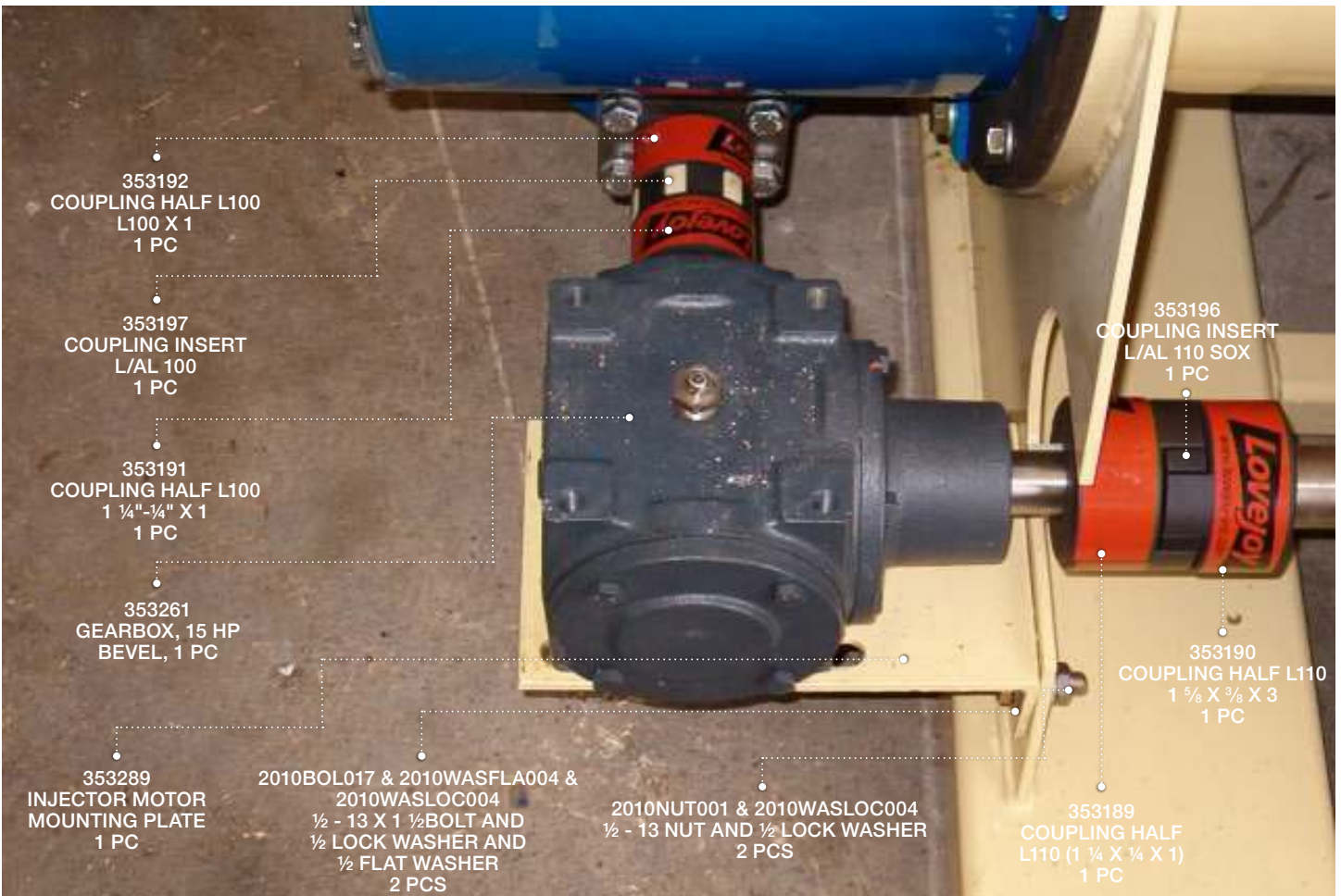
353266
 GRINDER HOPPER COVER
 002-013
 1 PC



353166
BREAKER BAR 002-0044



2010BOL013
2010WASLOC003
2010WASFLA002
3/8" - 16 X 1 1/4" G5 BOLT
3/8" FLAT WASHER
3/8" LOCK WASHER



353192
COUPLING HALF L100
L100 X 1
1 PC

353197
COUPLING INSERT
L/AL 100
1 PC

353191
COUPLING HALF L100
1 1/4"-1/4" X 1
1 PC

353261
GEARBOX, 15 HP
BEVEL, 1 PC

353289
INJECTOR MOTOR
MOUNTING PLATE
1 PC

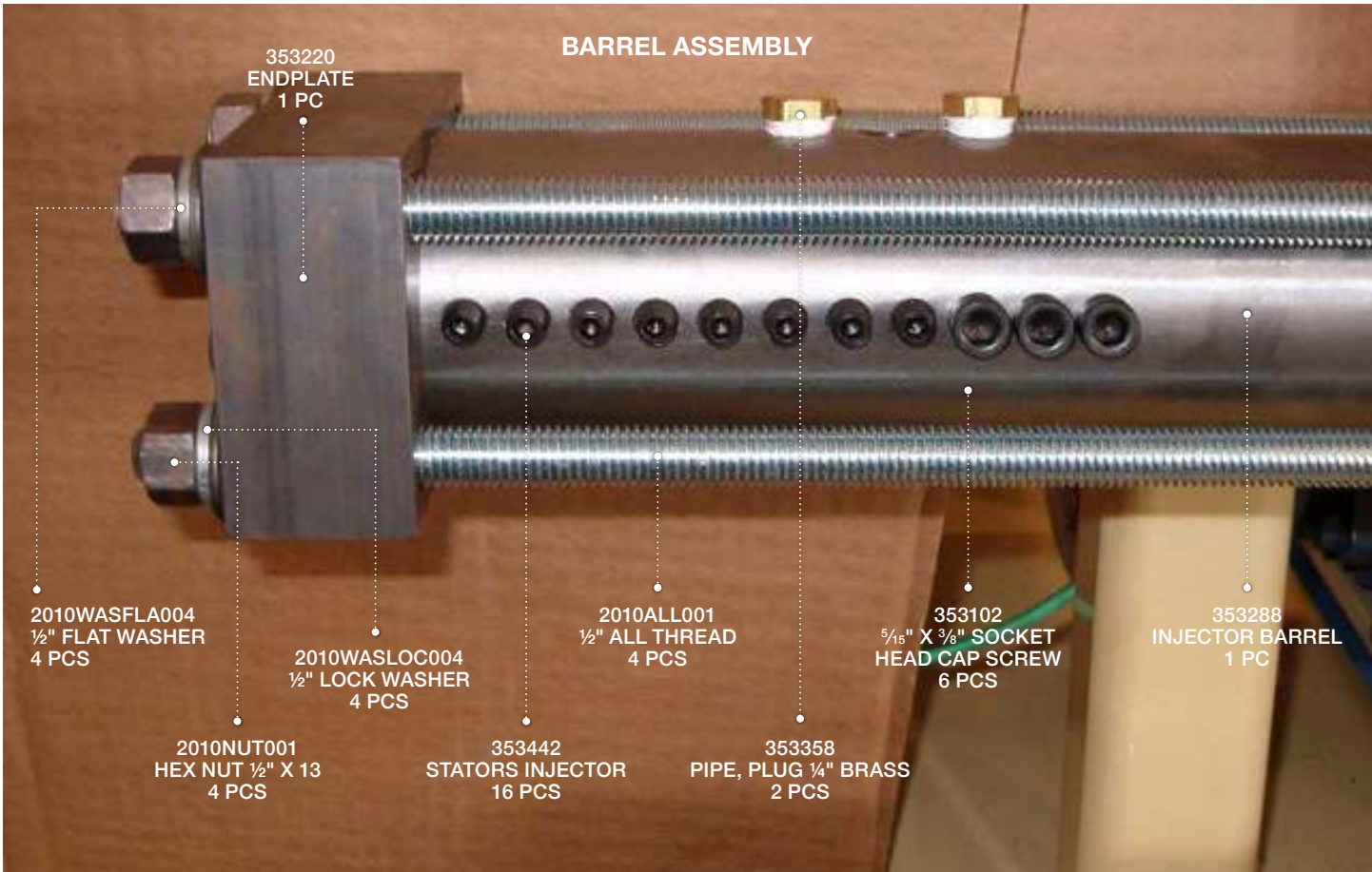
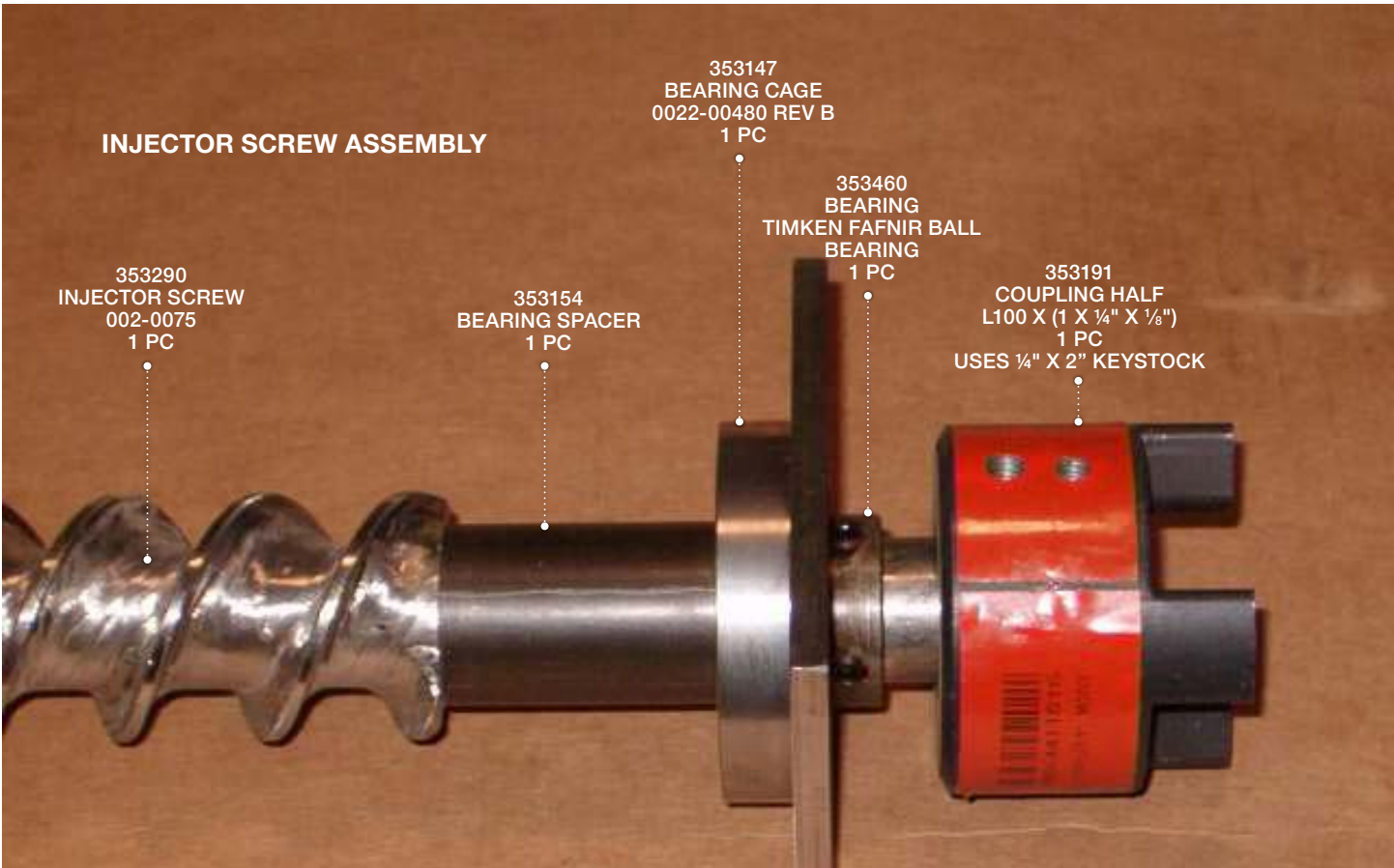
2010BOL017 & 2010WASFLA004 &
2010WASLOC004
1/2 - 13 X 1 1/2 BOLT AND
1/2 LOCK WASHER AND
1/2 FLAT WASHER
2 PCS

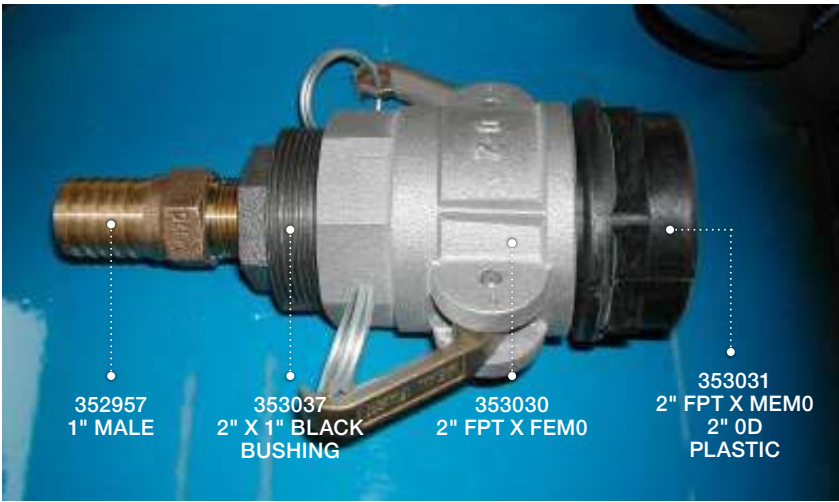
2010NUT001 & 2010WASLOC004
1/2 - 13 NUT AND 1/2 LOCK WASHER
2 PCS

353196
COUPLING INSERT
L/AL 110 SOX
1 PC

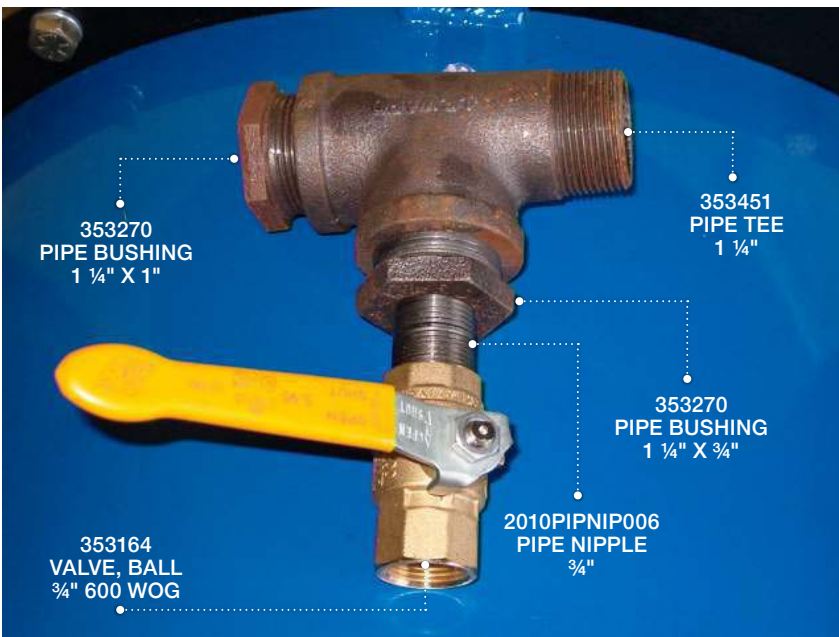
353190
COUPLING HALF L110
1 5/8 X 3/8 X 3
1 PC

353189
COUPLING HALF
L110 (1 1/4 X 1/4 X 1)
1 PC





HOSEKIT FOR AUTOFIL MACHINE
 352959 – 1" HOSE TO TOTES
 353031 X 2 - 2" kamlock femo
 353030 X 2 - 2" kamlock fpt X femo
 353037 X 2 - 2" x 1" bushing
 352957 X 2 - hosebarb 1"
 353278 X 4 - HOSE CLAMPS



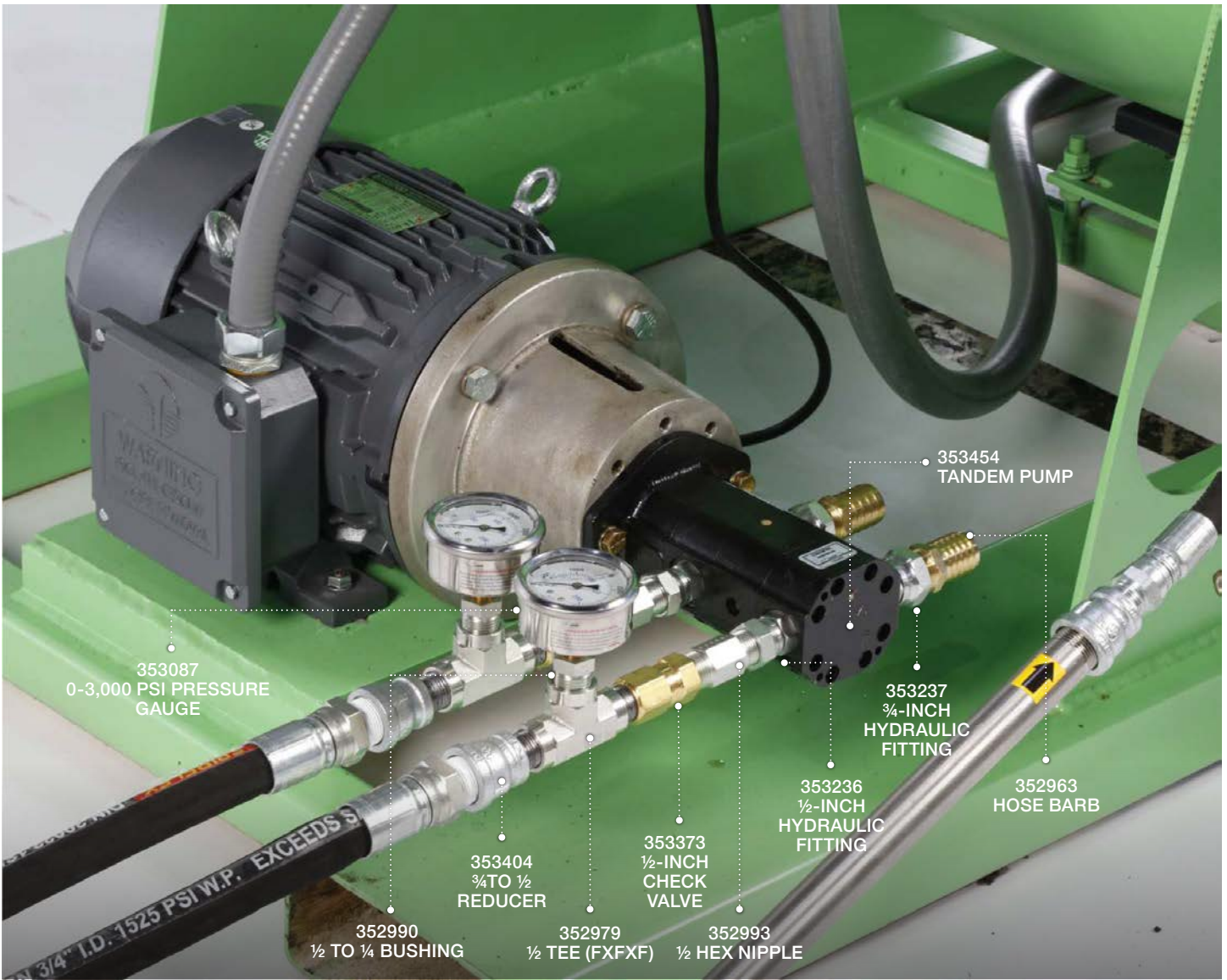
6ft - 353107
1" Hose



353438 16" x 3/4" Mixer
 353065 3/4" Elements (4 required)



353028 1/2" x 18" High Pressure Hose



342152 - complete changeover assembly, including all parts shown above as well as the hoses, 3/4-inch manifold (353067), and mixing tube.



3/4" Manifold pictured. 1/2" Manifold part numbers are also included.

Item	Part Number	Description	Designation
A	353007	1/4" Quick Connect	Fits both 1/2" & 3/4"
B	352999	1/4" Ball Valve	Fits both 1/2" & 3/4"
C	353001	1/4" Close Nipple	Fits both 1/2" & 3/4"
D	352996	1/4" Fluid Coupler	Fits both 1/2" & 3/4"
E	353054 (3/4") 353229 (1/2")	Quick Connect Female	3/4" & 1/2" Part Numbers
F	352983 (1/2")	Quick Connect O-Ring	Fits 1/2" Manifold Only
G	353062 (3/4")	Quick Connect O-Ring	Fits 3/4" Manifold Only
H	353059 (3/4") 353315 (1/2")	Quick Connect Male	3/4" & 1/2" Part Numbers
I	353069 (3/4") 353139 (1/2")	Spacer Bar	3/4" & 1/2" Part Numbers
J	353050 (3/4") 353080 (3/8")	Ball Valve	3/4" & 1/2" Part Numbers
K	353061 (3/4") 353221 (3/8")	Black Handle	3/4" & 1/2" Part Numbers
L	353355 (3/4") 352984 (1/2")	Mixing Coupler	3/4" & 1/2" Part Numbers
M	353066 (3/4") 353138 (1/2")	Manifold Block	3/4" & 1/2" Part Numbers

Visit www.CarlisleTyrFil.com for specs, weight charts, and more!

We keep the world rolling.
No flats, smoother ride, more protection.

Carlisle TyrFil
140 Sheldon Road, Berea, OH 44017 | (800) 821-4147 | www.CarlisleTyrFil.com

