

207-580 REPAIR KIT
for displacement pump
(must be purchased separately)
consists of:

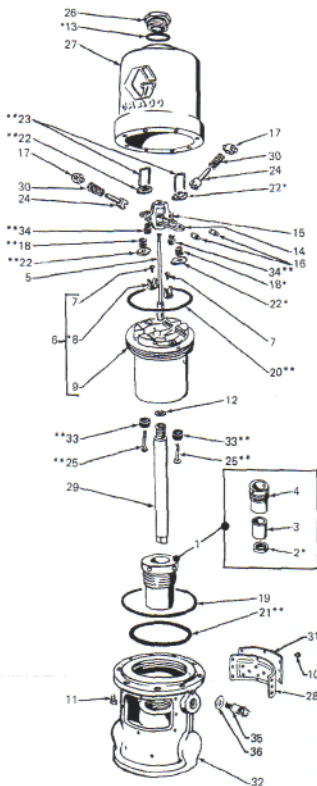
Ref. No.	Qty.
23	1
27	4
30	1
31	1
33	1
35	1
36	1
39	1
40	1

REF PART NO.	DESCRIPTION	QTY	REF PART NO.	DESCRIPTION	QTY
1	100-017 SCREW, hex hd, cap; 1/2-13 x 1-1/2	3	23	100-063 PIN, cotter; 1/16 dia; 1" lg	2
2	100-018 LOCKWASHER	3	24	101-917 BALL, SST; 7/8 dia	1
3	100-078 SCREW, rd hd mach; 8-32 x 3/8	8	25	101-178 BALL, SST	1
4	100-101 SCREW, hex hd cap; 3/8-16 x 1"	6	26	156-082 O-RING, nitrile rubber	1
5	100-128 LOCKWASHER, spring; 3/8	2	27	162-866 V-PACKING; "Teflon"	4
6	100-133 LOCKWASHER, spring; 3/8	6	28	158-279 STOP, ball	1
7	100-681 NUT, hex, jam; 5/8-11	2	29	104-631 CYLINDER, displacement pump	1
8	101-712 NUT, lock; 5/8-11	4	30	164-782 SEAL, o-ring	1
9	101-946 PIN, cotter	3	31	164-837 GLAND, male	1
10	102-556 RIVET, blind	2	32	501-155 SEAL, o-ring	1
11	160-637 PLATE, serial	1	33	165-288 GLAND, female	1
12	164-409 PLATE, muffler	1	34	165-291 PIN, ball stop	1
13	167-692 PLATE, identification	1	35	165-292 BEARING; "Teflon" tape	1
14	168-418 PLATE, adapter	1	36	166-026 SEAL; "Teflon"	1
15	168-453 NUT, shouldered	1	37	166-236 ROD, displacement	1
16	168-600 PLATE, tie	1	38	168-510 BODY, piston	1
17	168-606 ROD, connecting	1	39	168-512 WASHER, flat; "Teflon"	1
18	168-607 YOKE, connecting	1	40	166-285 BEARING, sleeve; "Teflon"	1
19	171-313 ROD, tie	4	41	158-244 HOUSING, intake valve	1
20	171-314 EXTENSION, displacement rod	2	42	206-529 HOUSING, outlet	1
21	207-352 AIR MOTOR	1	43	207-708 NUT, packing	1
22	904-287 DISPLACEMENT PUMP (includes items 22-43)	1			

* 10

* 20

PARTS DRAWING



PARTS LIST

AIR MOTOR, DIVORCED MOUNTING
Model 207-352 Series "D"

REF NO.	PART NO.	DESCRIPTION	QTY
1	205-529	PACKING NUT includes items 2-4	1
2	*101-524	SEAL, wiper; leather	1
3	101-528	BEARING, bronze	1
4	164-701	NUT, packing	1
5	207-150	TRIP ROD	1
6	207-301	PISTON Assy includes items 7-9 (also includes 207-385 repair kit when ordered as a replacement part)	1
7	102-975	SCREW, rd hd mach; no. 8-32 x 1/4	1
8	*158-361	CLIP, spring	1
9		PISTON, bars (not sold separately)	1
10	100-078	SCREW, rd hd mach; no. 8-32 x 3/8	2
11	101-578	SCREW, hex hd Nylock; 5/16-18 x 7/8	1
12	150-947	GASKET, copper	1
13	*156-698	SEAL, o-ring; nitrile rubber	1
14	158-359	BAR, valve	1
15	158-360	TOGGLE	1
16	158-362	PIN, toggle	2
17	158-394	ROCKER, toggle	2
18	*158-367	GROMMET, rubber	2
19	158-377	SEAL, flat ring; nitrile rubber	1
20	*158-378	SEAL, o-ring; nitrile rubber	1
21	*158-379	SEAL, o-ring; nitrile rubber	1
22	*160-261	LOCKNUT, transfer valve	4
23	*160-618	LOCKWIRE, transfer valve	2
24	160-623	ARM, toggle	2
25	*160-896	STEM, transfer valve	2
26	161-435	NUT, cap	1
27	162-629	CYLINDER	1
28	164-409	PLATE, muffler	1
29	166-235	ROD, connecting	1
30	167-685	SPRING, helical compression	2
31	172-460	PLATE, designation	1
32	168-656	BASE, air motor	1
33	*170-708	VALVE, poppet; urethane	2
34	*170-709	VALVE, poppet; urethane	2
35	104-029	LUG, grounding	1
36	104-582	WASHER, tab	1

*Recommended "tool box" spare parts. Keep on hand to reduce down time.

**Included in repair kit 207-385.

Items with shaded part numbers are not normally sold as replacement parts. These parts do not normally need replacement, or are available at local hardware outlets. Available from Graco on special order only.

Order parts by name and number. Always give the model number and series letter of the assembly for which you are ordering.

207-385 Repair Kit (must be purchased separately) consists of:				
Ref. No.	Qty.	Ref. No.	Qty.	
18	2	23	2	
20	1	25	2	
21	1	33	2	
22	4	34	2	